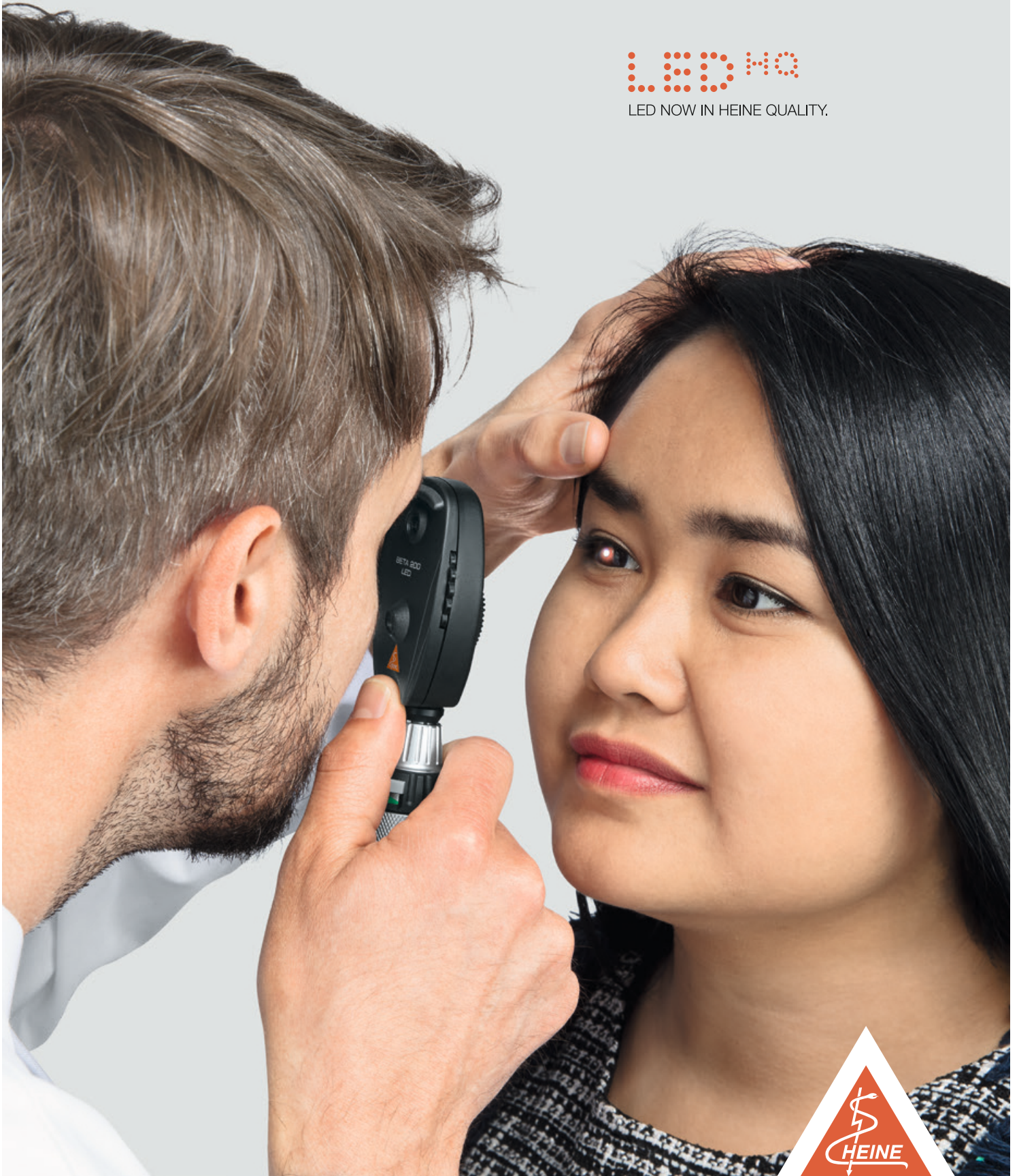


∴ **HEINE Hand-held Ophthalmic Instruments**
For precise diagnostic examination of the eye.

LED HO

LED NOW IN HEINE QUALITY.



HEINE BETA²⁰⁰ OPHTHALMOSCOPE

For a clear, bright, glare-free image of the fundus – for years to come.

Range of 27 lenses from
-35 D to +40 D (-10 D to +10 D
in 1 dioptre steps)

Dustproof housing

LED^{HQ}

LED NOW IN HEINE QUALITY.

XHL or LED^{HQ} illumination for
precise illumination and true
colour images during
fundusoscopic examinations

Optical components are
mounted on a cast
aluminum frame

Continuous
brightness control

BETA 4 rechargeable handle
with latest Li-ion technology

BETA 200 with 6 apertures



Slit, fixation star with polar coordinates, cobalt
blue filter, large spot, small spot, hemispherical spot



With red-free filter

LED^{HQ}

LED NOW IN HEINE QUALITY.

Light that shows colours as they are

BRIGHT AND HOMOGENEOUS
ILLUMINATION

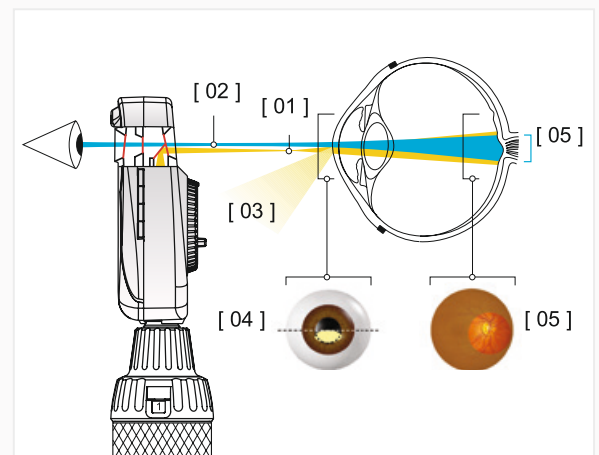
ACCURATE COLOUR RENDERING INDEX
Colour temperature typ. 3500 K,
Colour Rendering Index (CRI) > typically 97,
special index for red colours (R9) > 93.

CONSISTENT LIGHT OUTPUT AND PERFORMANCE
throughout the whole working life
of typ. 100,000 hours.

EFFICIENCY
with the BETA 4 rechargeable handle
a longer examination time
of approx. 3 x.

- “Aspherical Optical System” (AOS) exclusively at HEINE
Eliminates corneal and iris reflexes to provide large,
crisp and glare-free fundus images.

- [01] Flat, elliptical illumination beam produced by HEINE's patented
Aspherical Optical System.
- [02] Observation path.
- [03] Redirected iris and corneal reflexes.
- [04] The elliptical light beam enters through the lower half of the cornea.
The illumination beam has been separated from the observation
beam (Gullstrand-Principle). All reflexes are diverted away from the
observation beam due to the curvature of the reflective cornea.
Due to the flat, compressed form of the light beam, a maximum
amount of light enters through the pupil.
- [05] Once past the anterior chamber, the light beam opens up
dramatically to illuminate a large area of the retina.



HEINE BETA²⁰⁰S OPHTHALMOSCOPE

All of the benefits of the standard BETA²⁰⁰ with the addition of a single-step rekoss disk and additional pinhole aperture.

Range of 28 lenses from -3D to +38 D for 74 single dioptre steps. Perfect focus even with high refractive errors



LED NOW IN HEINE QUALITY.

XHL or LED^{HQ} illumination for precise illumination and true colour images during fundusoscopic examinations

Continuous brightness control

BETA 4 rechargeable handle with latest Li-ion technology

BETA²⁰⁰S with 7 apertures:



Cobalt blue filter, fixation star with polar coordinates, large spot, small spot, pinhole, slit, hemispot



With red-free filter



Dustproof housing

Optical components are mounted on a cast aluminum frame



EN 200 Diagnostic Centre: Instruments located at your fingertips in a space-saving design. For more information, please refer to our website: www.heine.com

BETA 200 Ophthalmoscope with	2.5V XHL	3.5V XHL	LED
BETA battery handle, spare bulb for XHL version, hard case	C-144.10.118		
BETA 4 USB rechargeable handle, medical approved plug-in power supply, handle rest, spare bulb for XHL version, hard case		C-144.27.388	C-144.28.388
BETA 4 NT rechargeable handle, NT table charger, spare bulb for XHL version, hard case		C-144.23.420	C-144.24.420
BETA 200 Ophthalmoscope only, without handle and accessories	C-001.30.100	C-002.30.100	C-008.30.100

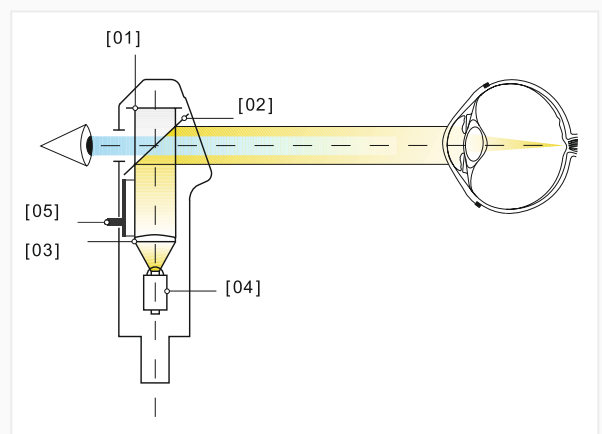
BETA 200 S Ophthalmoscope with	2.5V XHL	3.5V XHL	LED
BETA battery handle, spare bulb for XHL version, hard case	C-261.10.118		
BETA 4 USB rechargeable handle, medical approved plug-in power supply, handle rest, spare bulb for XHL version, hard case		C-261.27.388	C-261.28.388
BETA 4 NT rechargeable handle, NT table charger, spare bulb for XHL version, hard case		C-261.23.420	C-261.24.420
BETA 200 S Ophthalmoscope only, without handle and accessories	C-001.30.120	C-002.30.120	C-008.30.120

HEINE BETA[®]200 RETINOSCOPE

For a fast, reliable and objective determination of refractive error.



- [01] Polarisation filter, eliminates internal reflexes and stray light.
- [02] Semi-reflector mirror: allows simultaneous illumination and observation. Reflected light from the retina enters the examiner's eye.
- [03] Condensor lens: adjustable by a single control sleeve. Produces a divergent, convergent or parallel beam of light.
- [04] Rotating special Retinoscope bulb for determining the cylinder axis.
- [05] ParaStop simplifies and speeds up the precise detection of the cylinder axis.



BETA 200 Streak Retinoscope with	2.5V XHL	3.5V XHL
BETA battery handle, brow rest, spare bulb, hard case	C-034.10.118	
BETA 4 USB rechargeable handle, medical approved plug-in power supply, handle rest, brow rest, spare bulb, hard case		C-034.27.388
BETA 4 NT rechargeable handle, N4 table charger, brow rest, spare bulb, hard case		C-034.23.420
BETA 200 Streak Retinoscope only, without handle and accessories	C-001.15.353	C-002.15.353
Accessories:		
Spare bulb to convert to Spot Retinoscope	X-001.88.088	X-002.88.090
Fixation cards with holder for dynamic retinoscopy		C-000.15.360

HEINE® HSL 150 HAND-HELD SLIT LAMP

The ideal portable solution for the examination of the anterior segment. Light, mobile and easy to use.



The HSL 150 features bright, white XHL Xenon Halogen illumination comparable in intensity with the best static slit lamps for examination of the anterior segment. The compact, ergonomic design provides instant loupe alignment of the slit image for comfortable operation. The HSL 150 provides a 10 x 0.2 mm up to 14 x 4 mm slit image for direct focal illumination with an optical section. The ideal alternative for examinations where a static slit lamp is not available or practical to use. This hand-held slit lamp is invaluable for screening, in accident and emergency rooms, and for bed-ridden patients or small children.

HSL 150 Hand-held Slit Lamp with	2.5V XHL	3.5V XHL
BETA 4 SLIM NT rechargeable handle, N4 table charger, spare bulb, hard case		C-266.20.471
BETA SLIM battery handle, soft pouch, without spare bulb	C-252.10.105	
HSL 150 Hand-held Slit Lamp only, without handle and accessories	C-001.14.602	C-002.14.602
Accessories: HSL 10 x Loupe Attachment for HSL 150		C-000.14.606

HEINE® LAMBDA100 RETINOMETER

The first compact instrument for assessing potential visual acuity of patients with cataracts and other opacities. Clinically tested with excellent results*.

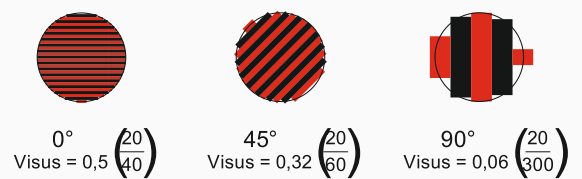


Three simple steps for assessing potential visual acuity:

- [01] Reduce ambient lighting, switch on instrument, select acuity, select grating angle.
- [02] Rest Retinometer against the patient's forehead. Scan the pupil with the red light spot to find a "window" through which the patient can recognise the grating pattern and identify its angle.
- [03] Select progressively finer grating patterns with different angles until the patient can no longer recognise the angle. The value of the last recognisable angle indicates the potential visual acuity.

LAMBDA100

Examples of various acuity grating patterns (visual angle 1°)



*Validated by the study "Accuracy of the HEINE LAMBDA100 Retinometer" in Investigative Ophthalmology & Visual Science, May 2008, Vol. 49, Southern College of Optometry, Memphis, Tennessee and the study "Reliability of predictable postoperative visual acuity of cataracts as measured by HEINE LAMBDA 100 retinometer preoperatively" by the Departamento de Oftalmologia, May/June 2010, São Paulo, Brasil.

LAMBDA 100 Retinometer with	2.5V XHL	3.5V XHL
acuity scale 20 / 300 to 20 / 25 (scale 2) without handle	C-001.35.015	C-002.35.015
decimal scale 0.06 to 0.8 (scale 1) without handle	C-001.35.010	C-002.35.010
Accessories:		
BETA battery handle	X-001.99.118	
BETA 4 USB rechargeable handle with medical approved plug-in power supply and handle rest		X-007.99.388
BETA 4 NT rechargeable handle for NT table charger		X-007.99.396
NT 4 table charger, without handle		X-002.99.494

HEINE® HAND-HELD INDIRECT OPHTHALMOSCOPE

For a fast and reliable fundus examination. Convenient hand-held Indirect Ophthalmoscope for mobile use.

Coated optical glass provides a clear and sharp image, even with a high level of illuminance

+ 3D lens attachment

Optionally integrated interference red-free filter for increased contrast

Adjustable illumination beam, for the examination of small pupils

One-hand operation: All control elements can be reached with the thumb



HEINE XHL Xenon Halogen illumination

Continuous Brightness Control

BETA4 rechargeable handle with latest Li-ion technology



Ophthalmoscopy Lens

The ophthalmoscopy lens which is needed for the examination provides a 3 – 5 x magnification of the fundus. For more information, please refer to our master catalogue.



HEINE Hand-held Indirect Binocular Ophthalmoscope

Adding the binocular attachment to the Hand-held Indirect Ophthalmoscope allows stereoscopic examination. PD selection from 54 to 74mm

Hand-held Indirect Ophthalmoscope MONOCULAR with + 3 D lens attachment and orbit rest extension, without handle	3.5V XHL C-002.33.001
Hand-held Indirect Ophthalmoscope BINOCULAR – PD selection from 54 to 74 mm with + 3 D lens attachment and orbit rest extension, without handle	3.5V XHL C-002.33.002
Accessories:	
BETA 4 USB rechargeable handle with medical approved plug-in power supply and handle rest	X-007.99.388
BETA 4 NT rechargeable handle for NT table charger	X-007.99.396
NT 4 table charger, without handle	X-002.99.494

In 1946 our founder, Helmut A. Heine started HEINE Optotechnik with one goal in mind; to build the highest quality diagnostic instruments available in the world. It was his belief that the highest quality instruments will always best support the health care professional in making the earliest and most accurate diagnosis. For over 70 years, our customers have been able to rely on this promise, and on their HEINE instruments for precise diagnostic performance, unique functionality and long lasting durability.

Today, as a global leader in primary diagnostic instruments with over 500 employees we remain committed to our founding principles. We are still a 100 % family owned and managed company and care deeply about our employees, our customers, and the quality of our products. We continue to develop and manufacture HEINE instruments exclusively at our facilities in Germany, where we combine decades-long experience and craftsmanship with the most modern manufacturing technologies.

www.heine.com



GERMANY
 HEINE Optotechnik GmbH & Co. KG
Kientalstr. 7
82211 Herrsching
Tel. +49 (0) 81 52-38 0
Fax +49 (0) 81 52-3 82 02
E-Mail: info@heine.com
www.heine.com

NORTH AMERICA
HEINE USA LTD.
10 Innovation Way
Dover, NH 03820
Tel. (603) 7 42-71 03
Fax (603) 7 42-72 17
Toll Free(800) 367-4872
E-Mail: service@heine-na.com

AUSTRALIA
HEINE AUSTRALIA PTY. LTD.
Unit 9, 98 Old Pittwater Road
PO Box 7218 Warringah Mall
NSW 2100
Tel. +61(0) 2-99 38 95 00
Fax +61(0) 2-99 39 23 05
E-Mail: info@heine.com.au

SWITZERLAND
HEINE(Schweiz) AG
Tobeläckerstr. 9
CH-8212 Neuhausen am Rheinflall
Tel. +41(0) 52-6 72 22 66
Fax +41(0) 52-6 72 63 77
E-Mail: info@heineschweiz.ch

Authorized Sales Partner:

MEX
ENTERPRISES

We Share in Healthcare...

ISO 13485 :2016 & ISO 9001 :2015 Certified Company

HEAD OFFICE

MEX ENTERPRISES

ISO 13485 :2016 & ISO 9001 :2015 Certified Company
Plot No. 50/1B-50/2B, Rajharsh
Colony, Near CI Square Shopping
Mall, Kolar Road, Bhopal, M.P
India-462042

DELHI SALES OFFICE

MEX ENTERPRISES

ISO 13485 :2016 & ISO 9001 :2015 Certified Company
Building Name - Classic's, T-1895/1,
Upper Ridge Road, Karol Bagh, New
Delhi India- 110005

RAIPUR SALES OFFICE

MEX ENTERPRISES

ISO 13485 :2016 & ISO 9001 :2015 Certified Company
House No.-10/806, ShivanandNagar,
Jhanda Chowk, Raipur Chhattisgarh
India-492008

Ph.: +91 755 4256391, +91 9302778762, +91 9111429222, Email: info@mediequipbazar.com, export@mediequipbazar.com

Website: www.mediequipbazar.com

